

# Indoor LED Sports Luminaire



Ball-impact-resistance DIN 18032-3

Ball-impact-resistance



Low glare



Easy installation



Rated voltage  
220-240V

Frequency  
50-60Hz

±40°C  
-20°C



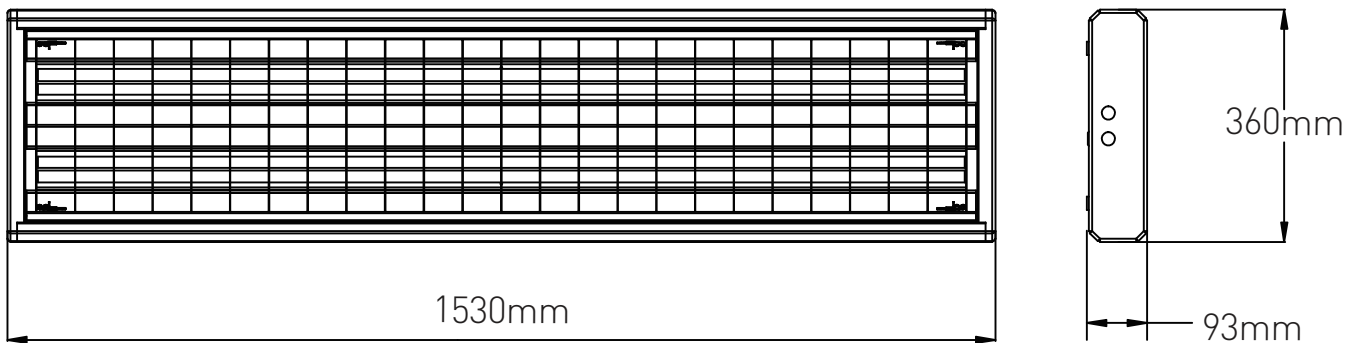
## Features

- SDCM 5(3 available if request)
- Up to 125Lm/w
- UGR<22
- IK10
- DALI control for more energy saving
- Standard 80,000 hours (L80B10)
- Widely used in sports hall
- Ball-impact-resistance DIN 18032-3

## Application

- School
- Sports club
- Community

## Product Dimension



## Parameter

Model NO.	Power (W)	Lumen	UGR
V10-100W	100	12500	19
V10-150W	150	18750	20
V10-200W	200	25000	22

CRI Range : >80

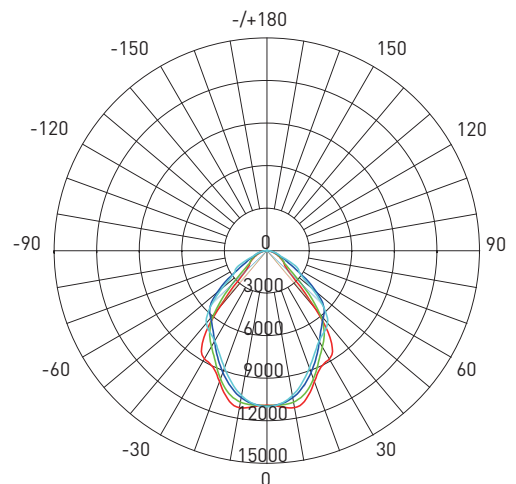
CCT Range : WW(3000K) NW(4000K) DW(5000K) CW(6500K)

AC Input : 220-240V 50/60Hz

Beam Angle : 90°

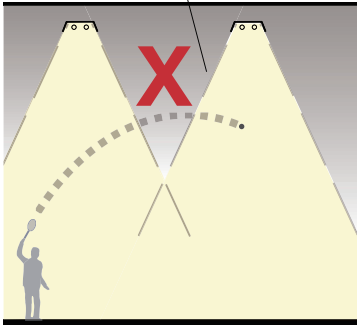
PF:≥0.93 THD<20% Power Efficiency:≥0.90

Temperature : (Storage : -40~+85°C) (Operating : -20~+40°C)



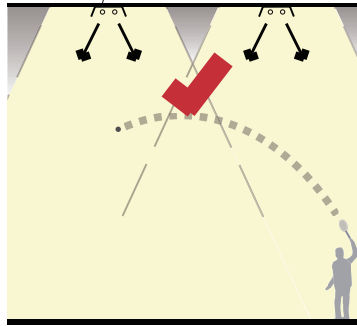
# Optics

Contrasts in illuminance in the volume of the field of play should be avoided

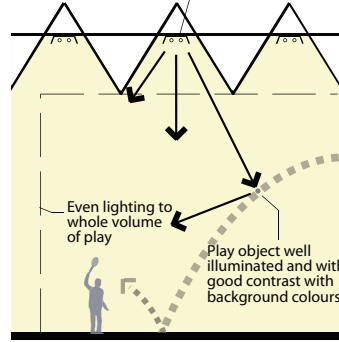


Even illumination is required in the full volume of the field of play

Improve spread of light in the volume

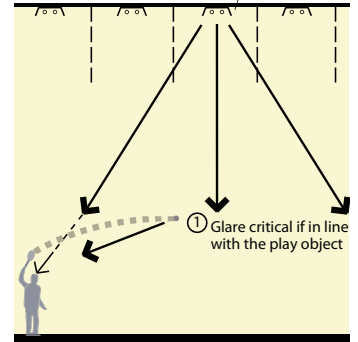


Artificial lighting integrated into roof structure and located to avoid glare



Natural and artificial lighting sources integrated with building structure

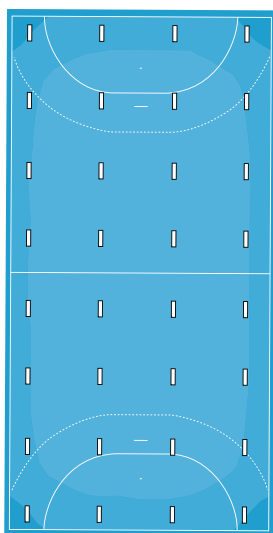
Light positioned / screened to avoid glare



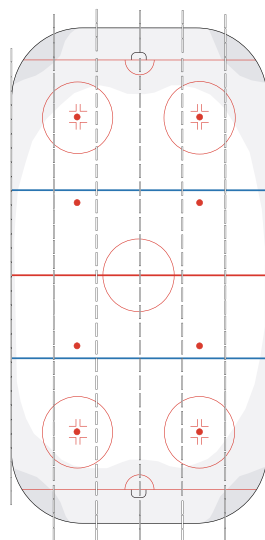
Lighting should not be located in direct line of sight of the player

## Lighting requirements for current 'levels of play' definitions from Sport

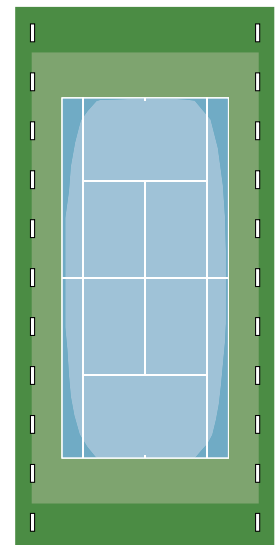
	International		Premier		Club		Community	
	Average Lux	Min Uniformity	Average Lux	Min Uniformity	Average Lux	Min Uniformity	Average Lux	Min Uniformity
Badminton	1000	0.7	500	0.7	500	0.7	500	0.7
Basketball	750	0.7	500	0.7	500	0.7	500	0.7
Netball	1500	0.7	750	0.7	750	0.7	750	0.7
Volleyball	1000 - 1500	0.7	500	0.7	500	0.7	500	0.7
Cricket (indoor)	-	-	-	-	750	0.8	750	0.8



Handball

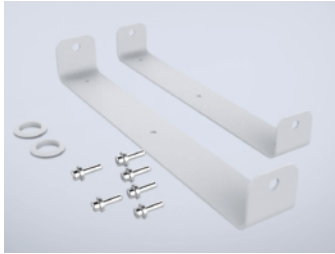


Hockey



Tennis

# Suspension Accessories(Optional)



Mounting brackets(2 pcs )



Suspension kits(4pcs)

## Installation

### Ceiling mounted

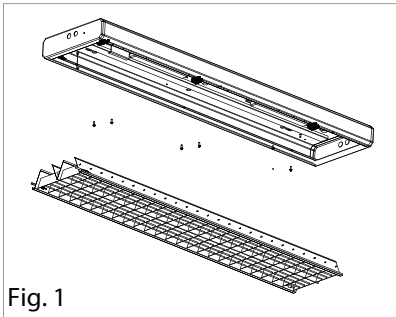


Fig. 1

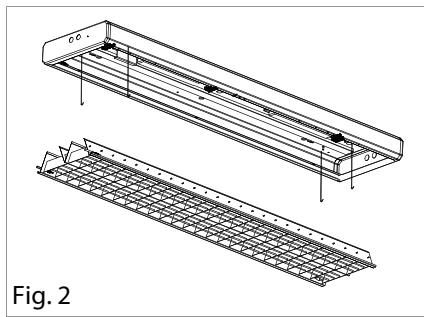


Fig. 2

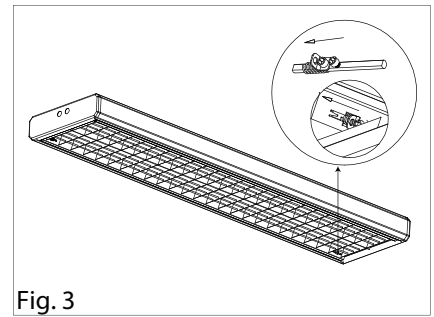


Fig. 3

### Suspending

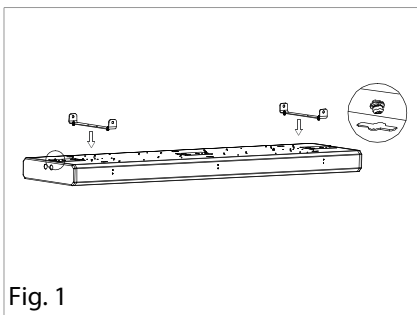


Fig. 1

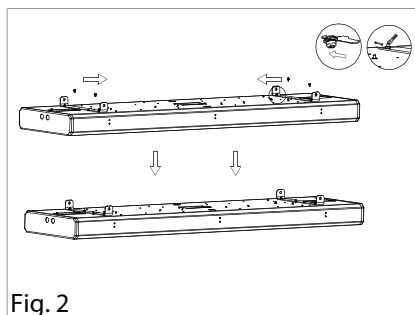


Fig. 2

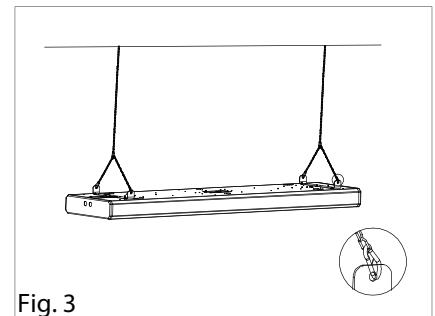


Fig. 3

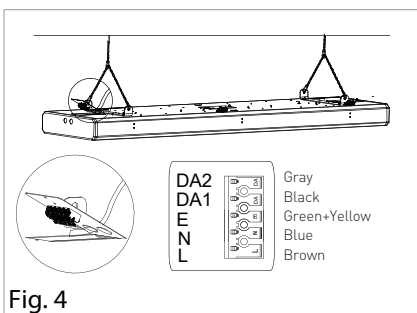


Fig. 4

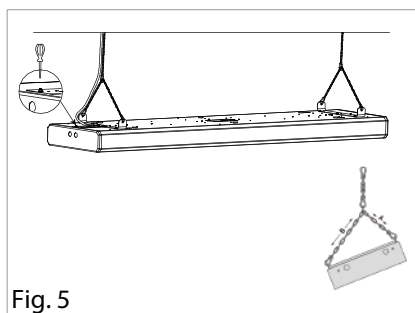
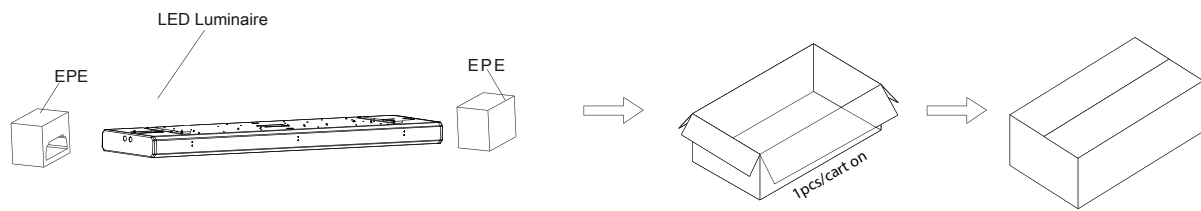


Fig. 5

# Packaging



Model No.	Single Box	Pcs/ctn	N.W.(kg)	G.W./ctn(kg)	Meas(mm)
V10-1500	1	1	11.5	14.4	1696*438*180